



## TPOD AIR PRO QUAD

Network education recording and broadcasting system

### Operating Manual

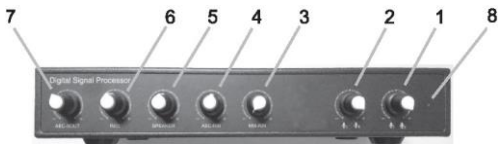


Please read this manual carefully before use

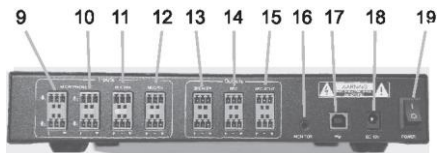
## Product overview

Based on audio signal input/output socket of Phoenix terminal, the audio processor is connected to different application devices through various audio cables and carries out high-quality audio/video teleconferencing and remote education through computer. The built-in AEC echo cancellation and noise reduction core algorithm system has a good voice and recording & broadcasting effect between remote device and local device.

## Introduction to host



- |  |  |
|--|--|
| (1) 1# and 2# microphone input gain adjustment | (5) SPEAKER audio output gain adjustment |
| (2) 3# and 4# microphone input gain adjustment | (6) Record output gain adjustment        |
| (3) Mixed audio input gain adjustment          | (7) AEC audio output gain adjustment     |
| (4) AEC audio input gain adjustment            | (8) Indicator light                      |



- |   |  |
|---|--|
| (9) 1# and 2# microphone special input interface  | (15) AEC audio output interface            |
| (10) 3# and 4# microphone special input interface | (16) 3.5 audio output monitoring interface |
| (11) Mixed audio input interface                  | (17) Btype USB data interface              |
| (12) AEC audio input interface                    | (18) DC 12V power input interface          |
| (13) SPEAKER audio output interface               | (19) DC power switch                       |
| (14) REC audio output interface                   |  |

## Packing List



Audio processor host x1



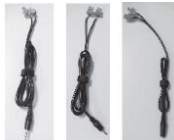
Spherical microphone x4



Microphone cable x4  
(Lenght: 15m  
Ends: Micanon - Phoenix)



RCA plug to Phoenix  
terminal cable x1



3.5 audio interface to Phoenix  
terminal cable x3



USB-B to USB-A USB  
cable x1



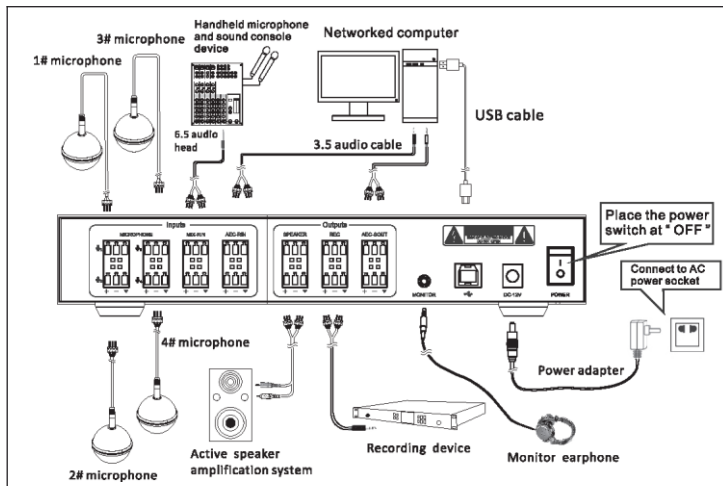
Power adapter x1



Phoenix terminal (spare part) x10

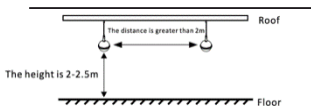
User Manual x1

## Product installation



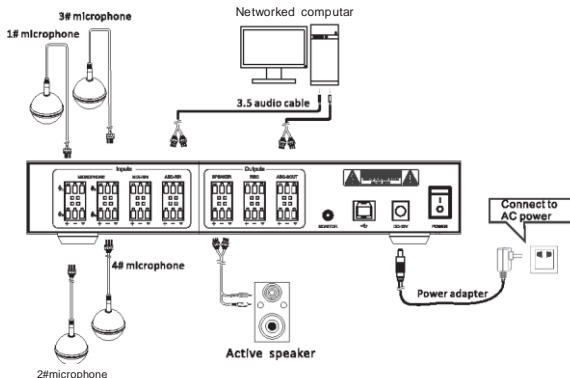
### Installation instructions:

1. Connect the device to Phoenix terminal socket according to application scenarios.  
The leftmost 1#-4# Phoenix terminals are used for microphone only (with Phantom power) and cannot be used for other purposes.
2. Single-ended audio signal needs to be connected to "+" and "T" only and needs not to be connected to "-".
3. Audio differential signal needs to be connected to "+", "T" and "-".
4. The mounting distance between four microphones is greater than 2m and the height is 2-2.5m.
5. The mounting distance between the speaker and the microphone is greater than 2m to achieve the best effect.

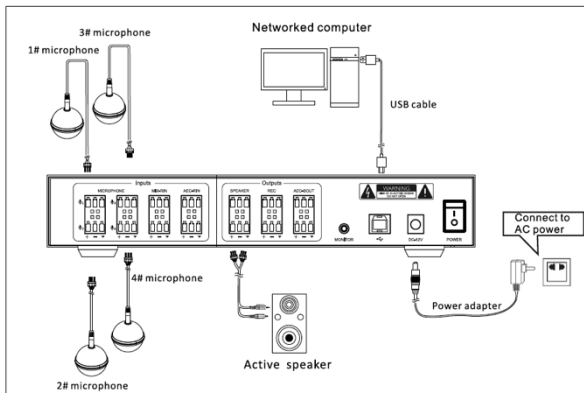


## Operation instructions

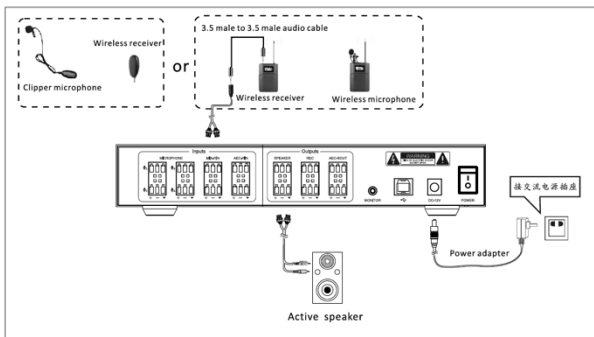
1. Main application scenario 1 of remote education and netmeeting:



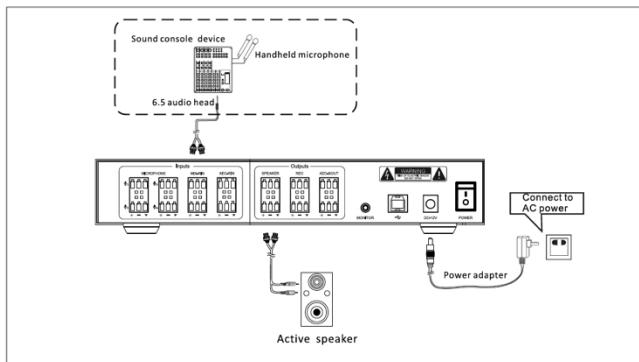
2. Main application scenario 2 of remote education and netmeeting:



### 3. Application scenario 3 of amplifier of local classroom and conference room:



### 4. Application scenario 4 of sound console of local classroom and conference room:



Based on installation and connection in the aforesaid application scenarios, recording device and monitor earphone can be connected to corresponding interface socket of the host to expand recording and broadcasting monitoring function.

### **Operation steps:**

1. Open the package, take out the device and accessories and check quantity in the packing list.
2. Place the power switch of the host at "OFF" .
3. According to application scenarios and installation instructions of host, install microphone cable, spherical microphone and active speaker. Then, connect the computer or other audio devices using cable. Finally, plug the power adaptor cable into the AC power socket.
4. After the host is installed and connected according to application scenarios graph, rotate all rotary knobs of the host anticlockwise to the minimum value, turn on the power switch of the host and the indicator light will light up.
5. Connect local and remote devices through network for remote education and netmeeting. First, connect VOIP of computer (such as QQ, SKYPE and other internet applications). Turn up microphone gain and volume of the host properly. When necessary, adjust volume and microphone sensitivity of computer properly to hear a sound of local and remote devices clearly. After that, both sides can have a voice call.

If the device is used for teaching and conference only in local classroom and conference room, turn on microphone gain and volume of the host properly to avoid squeaking and hear a sound in the speaker clearly.

### **Description:**

When the host is connected using USB cable, it can be used in computer of Microsoft Windows or Apple MAC operating systems. The USB cable is plug-and-play cable and extra driver is not required.

## Precautions

1. In netmeeting teaching application, the computer cannot be connected to several loudspeakers, including the host.
2. The use cable should be directly connected to the computer. If it is connected using use hub (HUE), operational problem may be caused.
3. If necessary, inspect whether the use interface of the device is connected successfully:  
In attributes of sound and audio devices on the control panel of the computer of Microsoft WINDOWS operating system, "Device model and name" will be displayed in broadcasting (output) and recording (input) devices by default; otherwise, "Device model and name" should be reselected.  
In the computer of Apple MAC operating system, single click on the Apple icon on the upper left, select "Voice" in "System preferences" and then select "Input" or "Output". Click on "Select voice input device" or "Select voice output device" and view whether "built-in microphone" or " built-in loudspeaker" is " Device model and name" by default; otherwise, reselect "Device model and name".
4. Please do not try to repair this device, or electric shock may be caused. Please contact the dealer about maintenance.