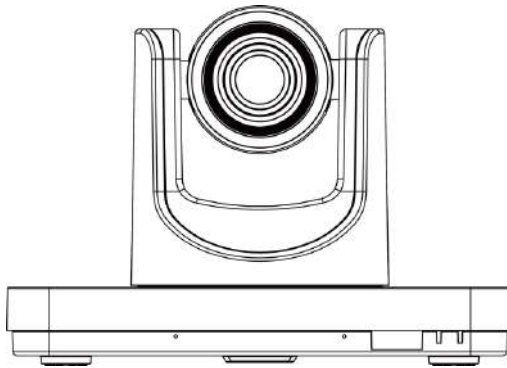


TP1

All in One HD

Video Conference Terminal



User Guide

Copyright statement

The copyright of all the contents of this manual belongs to the company and shall not be copied, copied, copied or translated in any way without permission of the company. This manual does not contain any form of warranty, position statement or other hints. The product specifications and information mentioned in this manual are for reference only, and the contents will be updated at any time without prior notice.



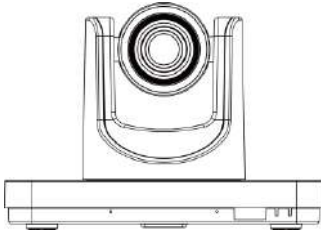
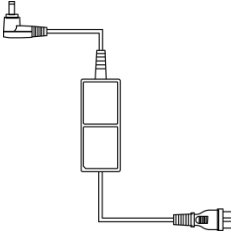

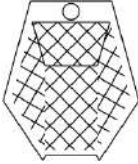
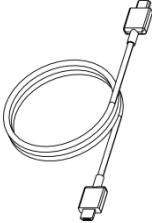

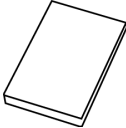
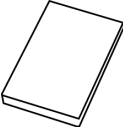

This is A class A product which may cause radio interference in the living environment. In this case, users may be required to take practical measures against interference.

Content

1 PACKING LIST	2
2 PRODUCT INTRODUCTION	3
2.1 PRODUCT APPEARANCE	3
2.2 PRODUCT SPECIFICATIONS	5
3 INSTALL THE ATTACHMENT	6
3.1 CONNECTION	7
3.2 POWER ON	9
4 USE THE REMOTE CONTROL	11
5 GUI MAIN INTERFACE	12
6 BASIC SETTINGS	13
6.1 NETWORK SETTING	13
6.2 SETTING OF H323 ACCOUNT (OPTIONAL)	13
6.3 SET SIP ACCOUNT (OPTIONAL)	14
6.4 SET THE TERMINAL NAME	16
6.5 SETTING LANGUAGE	17
6.6 SET THE DATE AND TIME	17
6.7 RESTORE FACTORY SETTINGS	18

1 Packing List

When unpacking, please check and confirm all attachments that should be provided.

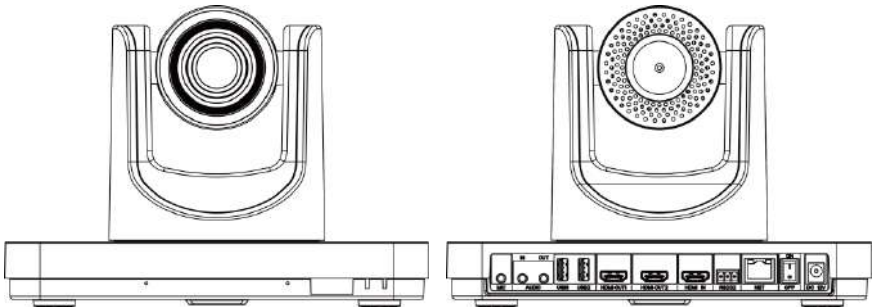
		
<p>HD Video Conference Terminal x 1</p>	<p>Power Adapter x 1</p>	<p>Remote Control x 1</p>
		
<p>Microphone x 1</p>	<p>HDMI Cable x 2</p>	<p>Line Cable x 1</p>
		
<p>Quick Guide x 1</p>	<p>User Manual x 1</p>	<p>CD x 1</p>

2 Product Introduction

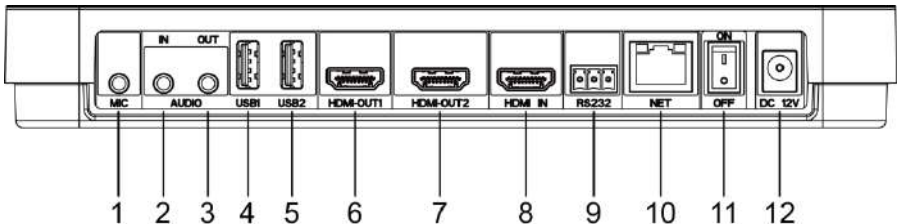
The integrated HD video conference terminal adopts embedded system design, supports 1080P HD codec and h. 323, SIP communication protocol. Integrated design, convenient installation, network connection, microphone, television, plug in the power to communicate. Communicate voice and image information to each other to complete various meeting functions such as document sharing. Save meeting time and money, improve work efficiency, and create convenience for enterprises to realize face-to-face video conference interaction and all-round communication.

2.1 Product Appearance

Appearance



Interface



NO	Name	Function
1	MIC	The microphone audio input interface that connects the microphone to the terminal for receiving voice
2	AUDIO IN	3.5mm audio input interface for connecting computer, mobile phone and other sound input sources.
3	AUDIO OUT	3.5mm audio output interface, connect the speaker box and terminal through the audio cable, and output the sound
4	USB1	USB interface 1, used for external USB devices such as USB disk, mouse, keyboard, microphone or speakers.
5	USB2	USB interface 2, for external USB devices such as USB disk, mouse, keyboard, microphone or speakers.
6	HDMI OUT1	HDMI output interface 1 connects the terminal and HDTV through HDMI cable.
7	HDMI OUT2	HDMI output interface 2 connects the terminal and HDTV through HDMI cable.
8	HDMI-IN	HDMI input interface, connect terminal and camera via HDMI cable.
9	RS232	RS232 interface for external RS232 equipment, such as computers, cameras, etc. (this feature is not currently supported)
10	NET	NET network interface, through the network line terminal access network.
11	ON/OFF	Power on key, power on or off.
12	DC 12V	DC 12V power input interface for connecting supporting power adapter.

2.2 Product Specifications

Category	Project	Details of specifications
Electrical characteristics	Working voltage	AC 100V ~ 240V, DC 12V
	Power consumption	maximum power consumption: 24W
Environmental requirements	Working state	
	The temperature	0°C ~ 40°C
	Relative humidity	10% ~ 80%
	The surrounding noise	less-than 46dBA SPL
	Off duty	
	The temperature	-40°C ~ 70°C
	Relative humidity	0% ~ 95%
Physical properties	Bare machine size (length * width * height)	240mm × 144mm × 170mm
	The bare weight	1.8 kg

3 Install the Attachment

The terminal can be placed directly on the desktop, fixed to the TV or hung on the wall. Figure 1 is the schematic diagram of installation on TV, and figure 2 is the diagram of installation on wall. The bracket in the figure is not included in the packing list.

Figure 1 is installed in the TV schematic

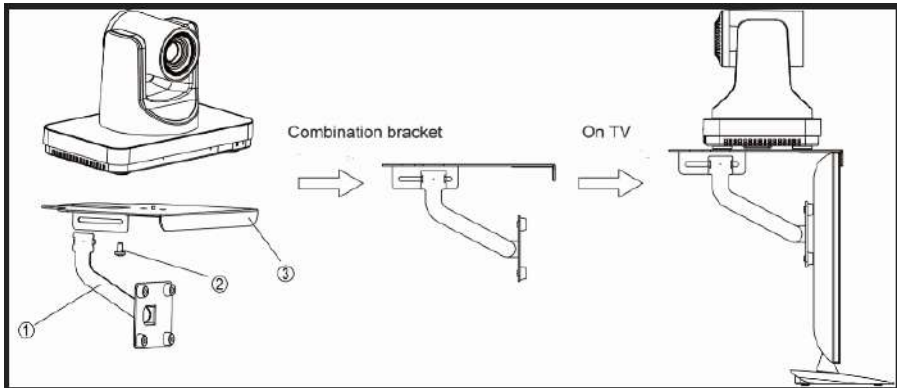
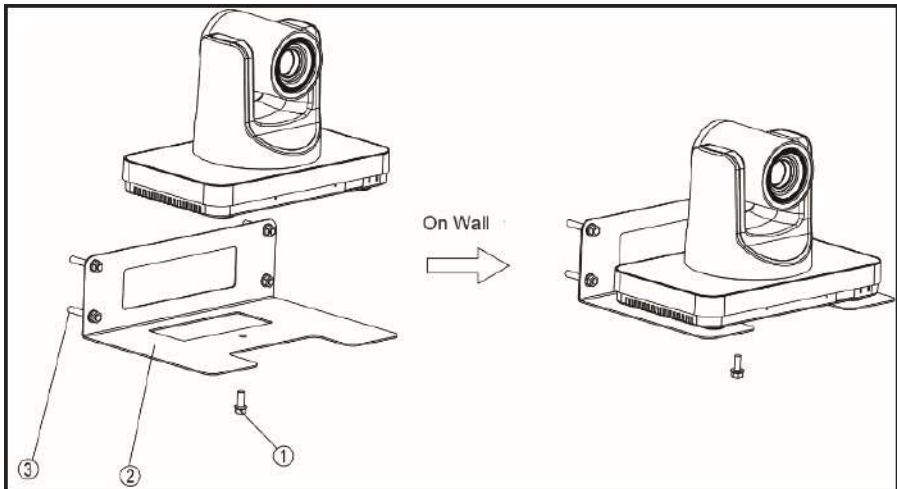


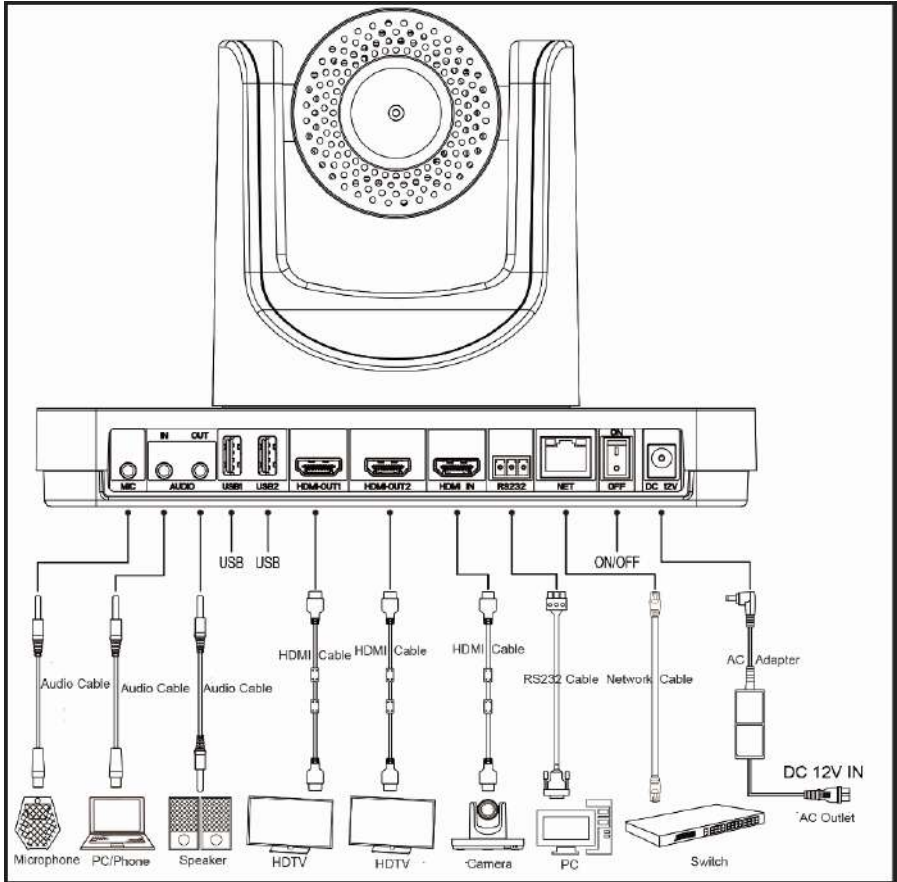
Figure 2 is installed in the wall diagram



- If the terminal is placed directly on the desktop, please keep the desktop stable, pay attention to anti-skid;
- If the terminal is placed on the rack, please use screws to fix it on the rack.
- Adjust terminal orientation to avoid facing bright light sources (such as Windows). It is recommended that the terminal be facing participants.

3.1 Connection

Before connecting the cable, it is necessary to know the back interface of the terminal. The cable connection shown in the figure below contains optional configuration, for reference only. Please connect the cable according to actual needs.



The Configuration is as follows:

- enter the video image, the external HDMI cameras connected to the terminal IN the interface.
- input voice: use a 3.5 mm audio cable to connect the supporting the microphone MIC to terminal interface.
- enter player voice: use 3.5 mm AUDIO cable, connect the player to the end of the AUDIO IN the interface.

- output the video image: use the HDMI cable HDMI connection terminal OUT1 interface to the display device interface HDMI inputs.
- output voice: use the HDMI cable HDMI connection terminal OUT1 interface to the display device of the HDMI input interface,
- Or connect the AUDIO OUT interface of the terminal to the speaker using a 3.5mm AUDIO cable.
- output in the first two video image: use the HDMI cable HDMI connection terminal OUT2 interface to the display device interface HDMI inputs.
- to connect to the Internet: using.net interface wiring terminal, the terminal access network.
- connect power: use the DC 12 v power supply cord connected to form a complete set of power adapter, and then connect the power adapter to the power socket.

3.2 Power On

Connect all equipment used in conjunction with the conference terminal before switching on the power.



- When the terminal power is on, please prevent the power cord plug from leaving the terminal and the terminal power is off.
- Please close the terminal first, then turn off the external power supply, and finally pull out the power cord. Please check whether the power cord and the power adapter are properly and reliably connected to the corresponding equipment as required below.
- Determine the ac power voltage range between 100V and 240V, and the frequency is 50Hz or 60Hz.

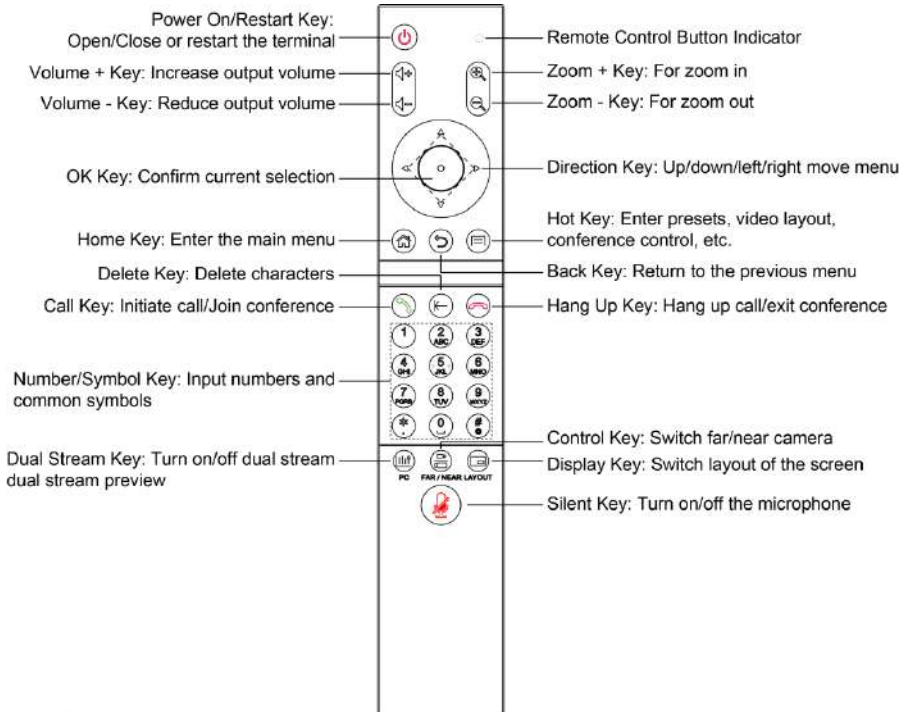
- The sequence definition and the corresponding voltage difference of fire line (L), zero line (N) and protection ground line (PE) must conform to international standards, and the protection ground wire must be reliably grounded.

HDMI OUT1 is used as the output interface. After connecting the cable as shown above, the power of the power adapter is connected. Press the start button (the green light is long), start the machine to display the main menu of the interface.

The indicator light of the terminal after starting up is shown in the following table:

Indicator status	Terminal status description
The power indicator light is long and green	On duty
The power indicator is long orange	Power off but not off
The power indicator is off	Power off
The infrared receiving indicator light flashes green	Receive remote infrared signal

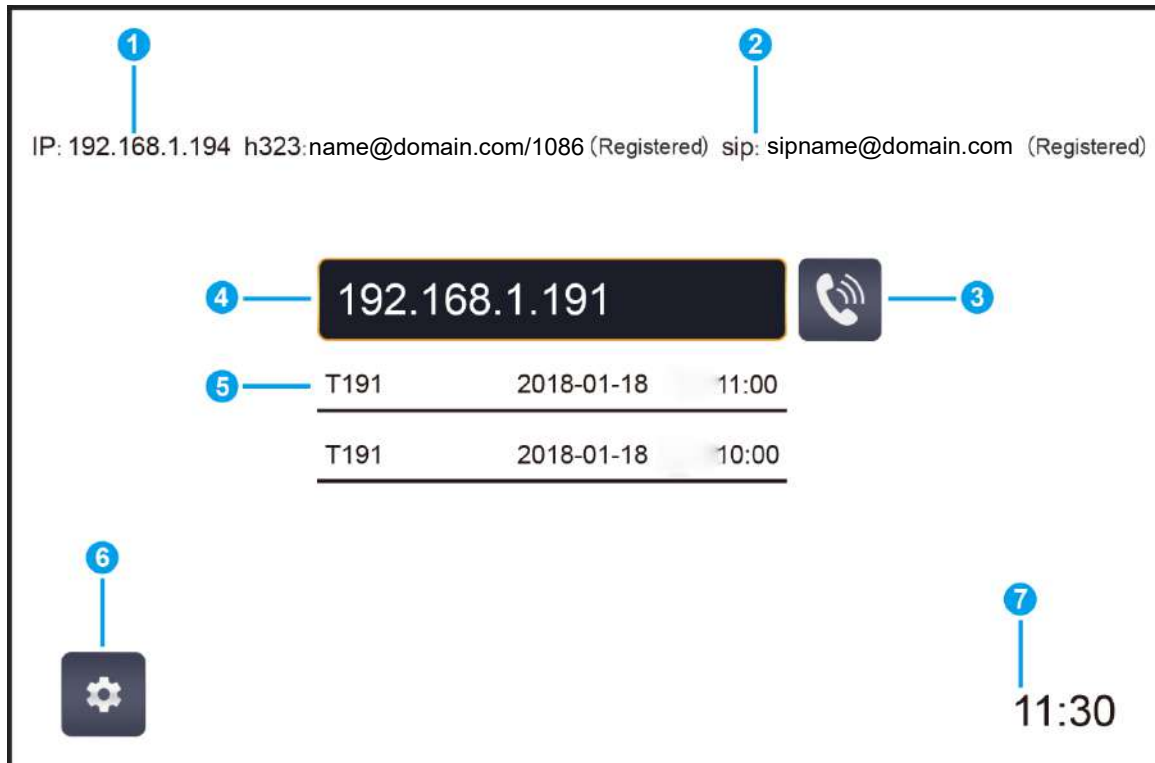
4 Use the Remote Control



The remote control may be affected by strong light, and the normal working distance is about ten meters.

5 GUI Main Interface

Press the menu button of the remote control to enter the main GUI interface.



NO	Explain	NO	Explain	NO	Explain
1	Conference terminal IP address	2	H323/SIP registration status	3	The call button
4	Remote venue IP or number input box	5	Address book menu	6	History menu
7	Diagnostic menu	8	Control menu	9	The Settings menu
10	Displays history call records	11	Select call protocol	12	Selective call rate

When the cursor is moved to the "Settings" menu, the "address book", "history", "diagnosis" and "control" menu will pop up automatically. When you move the cursor to the call button, the call protocol and call rate boxes pop up automatically.

6 Basic Settings

6.1 Network Setting

Step 1 enter the GUI main interface and select "set > network > network Settings".

Step 2 configures the Ethernet device parameters, as shown in the following table.

Step 3 select save to save the configuration information.

Step 4 concludes.

Parameters of the item	parameter specification
Working mode	Configure the network work mode. The options are: <ul style="list-style-type: none"> • automatically • 10 m full-duplex • 10 m half duplex • 100 MB full duplex • 100 m half duplex
Connection type	<ul style="list-style-type: none"> • automatically obtain IP: terminal through the DHCP server to obtain IP address automatically. • static IP: terminal IP address assigned by the network administrator, you need to set up the "IP address", "subnet mask", "default gateway and DNS address.
The IP address	Configure the IP address of this terminal.
Subnet mask	Configure the subnet mask of this terminal.
The default gateway	Configure the default gateway address for the IP of this terminal.
DNS address	Configure the IP address of the DNS server.
Save	Select save to save the configuration information.

6.2 Setting of H323 Account (optional)

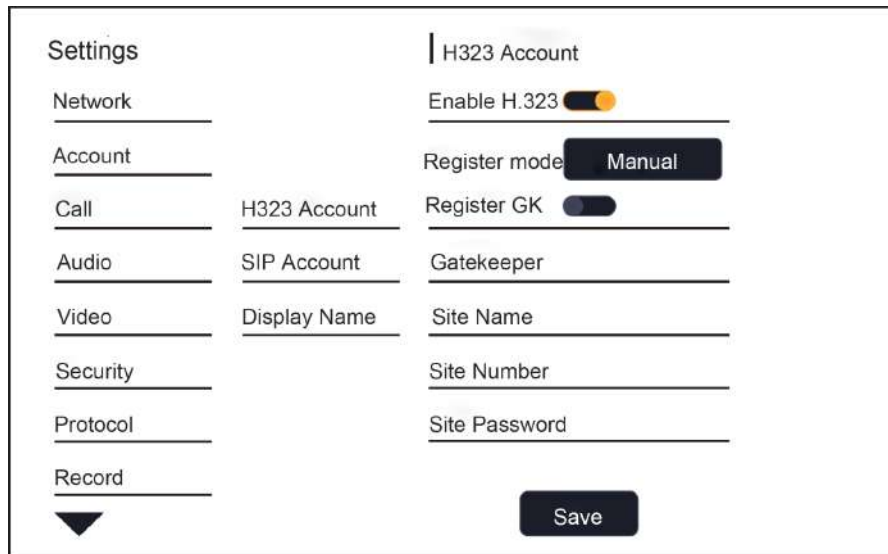
Set the terminal's H323 ID and number, specify the GK address, and allow the terminal to register with GK so that it can call a meeting or other terminal through the number.

Step 1 enter the main GUI interface and select "set > account > H323 account".

Step 2 configures the H.323 account parameter information, which is shown in the following table.

Step 3 select save to save the configuration information.

Step 4 concludes.



Parameters of the item	parameter specification
To enable the H323.	Select whether h.323 is enabled by default.
Configuration mode	Select h. 323 account configuration and manually enter the information required for registration of h. 323.
Registered 323 H.	Enable or disable terminal registration GK server. The options are:
GK address	enable: terminal registered GK server.After the terminal is successfully registered to the GK server, it can pass
Registered name	The remote venue number calls other terminals.
The terminal number	disabled: terminal not registered GK server.When a call is made using the h.323 protocol, other terminals can only be called through the IP address.
Password	Set the IP address or domain name of the GK server.

6.3 Set SIP Account (optional)

Configure the SIP parameters, set the SIP address of the terminal, and communicate with the remote through the registration number.

Step 1 enter the main GUI interface and select "set > account > SIP account".

Step 2 configures the SIP parameters, which are described in the following table.

Step 3 select save to save the configuration information.

Step 4 concludes.

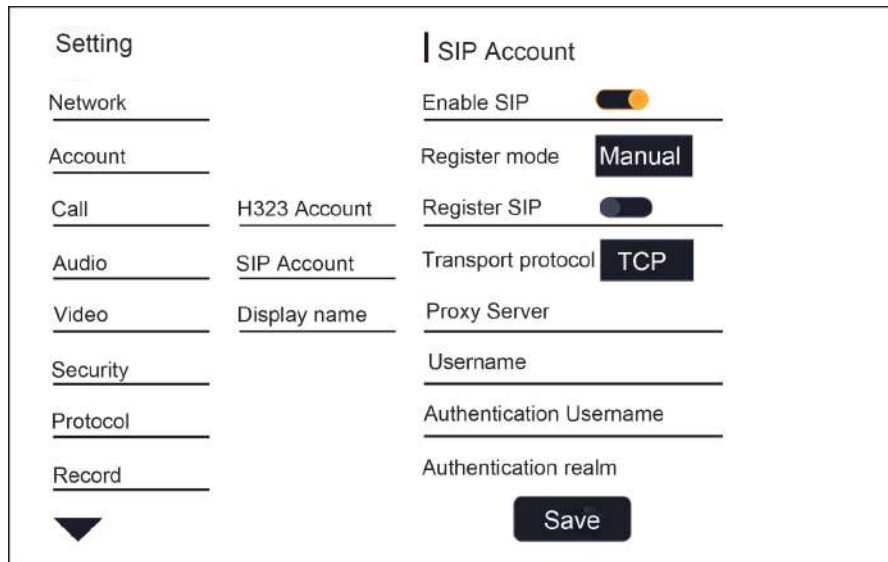
Configure the SIP parameters, set the SIP address of the terminal, and communicate with the remote through the registration number.

Step 1 enter the main GUI interface and select "set > account > SIP account".

Step 2 configures the SIP parameters, which are described in the following table.

Step 3 select save to save the configuration information.

Step 4 concludes.

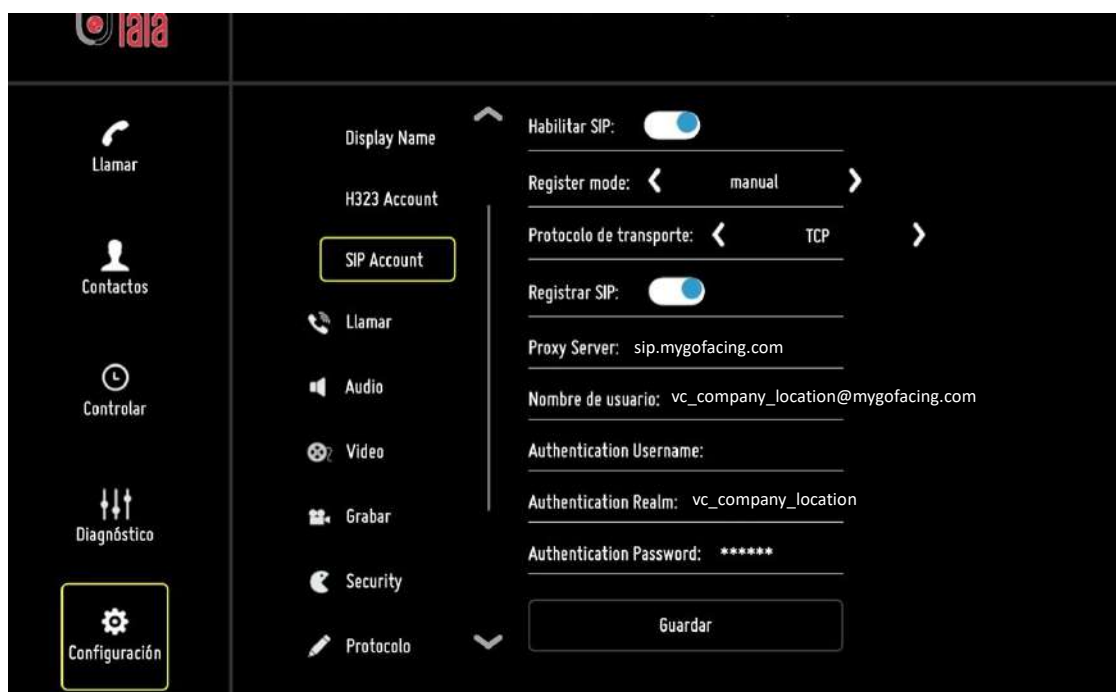


Parameters of the item	parameter specification
To enable the SIP	Select whether SIP is enabled by default.
Configuration mode	Select the SIP account configuration and manually enter the information required for the SIP registration.
SIP registration	<p>Enable or disable terminal registration of SIP server. The options are:</p> <ul style="list-style-type: none"> • enable: terminal registered SIP server. After the terminal has successfully registered to the SIP server, it can call other terminals through the remote venue number. • disabled: terminal does not register the SIP server. When calling with SIP protocol, other terminals can only be called through IP address
Transfer protocol	Select the transport protocol with options for TCP, UDP, TLS, and automation.
Proxy server	Enter the IP address or domain name of the SIP proxy server (optional).
The user name	This must be enabled when the user's network environment requires that the proxy server be enabled.

Parameters of the item	parameter specification
Authenticated user name	Enter the user name (optional) used to register the SIP server.
Authentication domain	Enter the user name for authentication.
The authentication code	Enter the domain name (optional) for the
Save	Select the transport protocol with options for TCP, UDP, TLS, and automation.

After the terminal registers the SIP server, you need to configure the proxy server, username, and authentication domain.

Below, you can see an example how to register one device on GoFacing platform.



6.4 Set the Terminal Name

Step 1 enters the main GUI interface and selects "set > account > display name".

Step 2 configures the terminal name.

Step 3 select save to save the configuration information.

Step 4 concludes.

Setting
| Display Name

Network

Account

Call

Audio

Video

Security

Protocol

Record

▼

Endpoint Name

Encode H.323 display name as

Decode H.323 display name as

H323 Account

SIP Account

Display Name

6.5 Setting Language

Step 1: enter the GUI main interface and select "set > system > language".

Step 2 sets the system language you need and returns.

Step 3 select save to save the configuration information.

Step 4 concludes.

6.6 Set the Date and Time

Step 1 enters the main GUI interface and selects "set > date of > system".

Step 2 sets parameters such as date, time, and date format.

Step 3 select save to save the configuration information.

Step 4 concludes.

Parameters of the item	parameter specification
Automatically gets network time	Check "get network time automatically" to indicate the time spent on the network.
Set the date	Set the date, do not check "automatic access network time" to take effect.
Set a time	Set the time, do not check "automatic access network time" to take effect.
The NTP service	Set up the NTP time server.
Select the time zone	Set the time zone in your area.

Parameters of the item	parameter specification
Enable 24-hour format	Sets whether the 24-hour format is enabled.
Select date format	Select the order in which the date, month, and day formats are displayed.

6.7 Restore Factory Settings

Step 1 enter the GUI main interface and select "set > system > reset".

Step 2 select restore factory Settings.

Step 3 select save to save the configuration information.

Step 4 concludes.



After the factory Settings are restored, all the terminal parameters you previously configured will be lost. Please be careful!