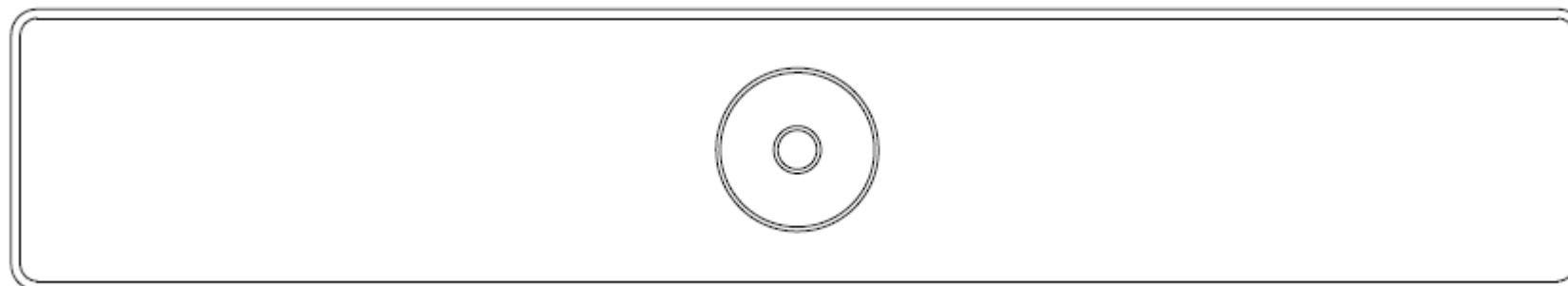


# MyTeam B&H

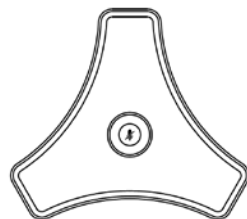


Quick Installation Guide

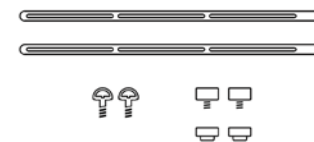
## What's in the box



Myteam B&H X 1



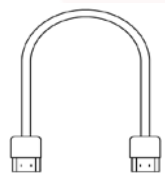
Expansion Mic X 1



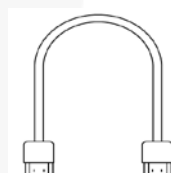
TV Mount Bar with  
Screws



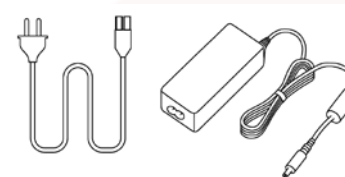
Remote Control x 1



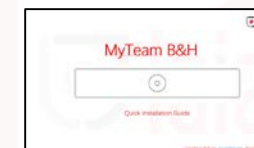
HDMI Cable X 1



DP-HDMI Cable X 1

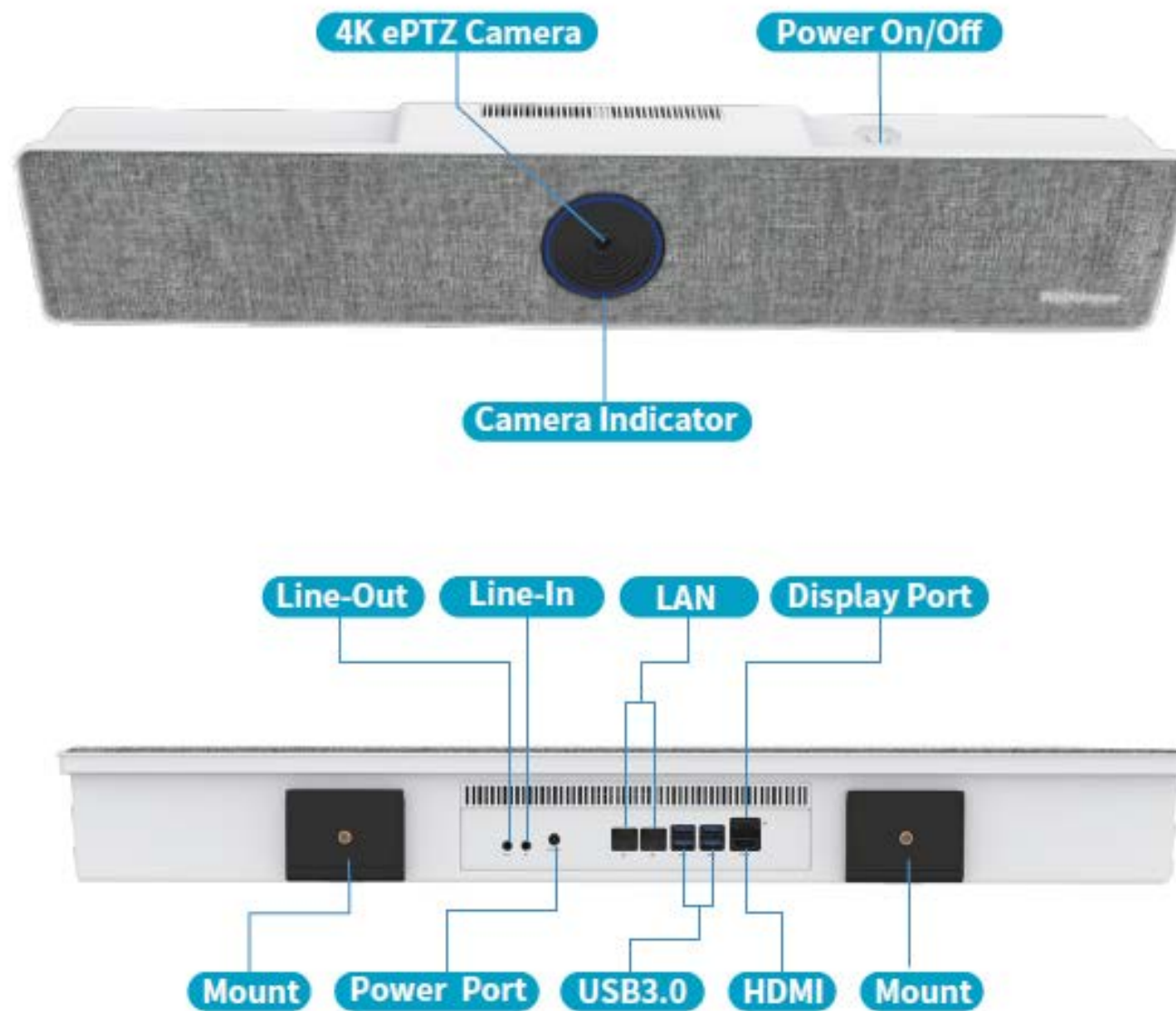


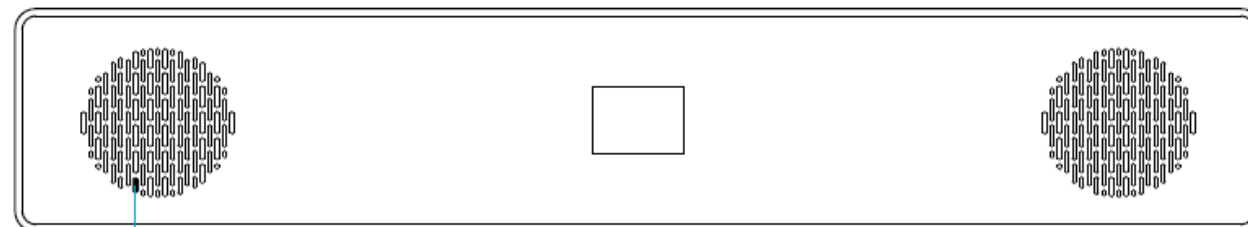
AC Adapter X 1



Quick Installation  
Guide X 1

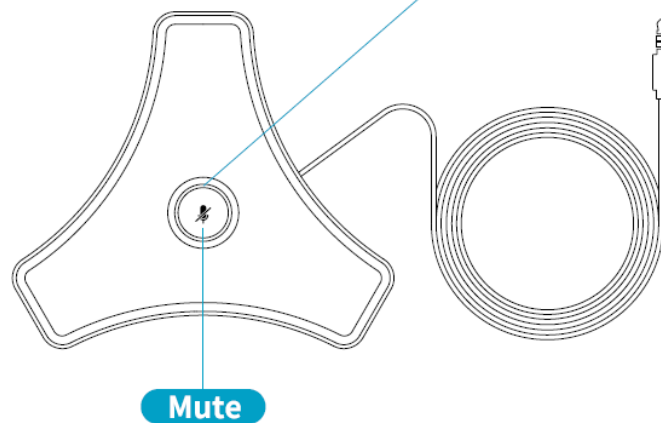
# Overview





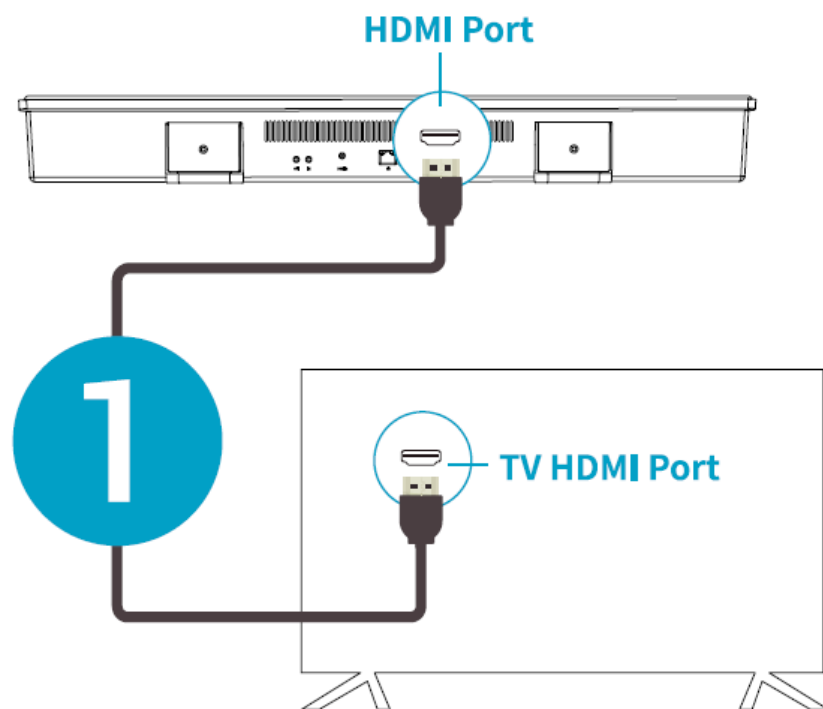
Security Lock Slot

Status Indicator

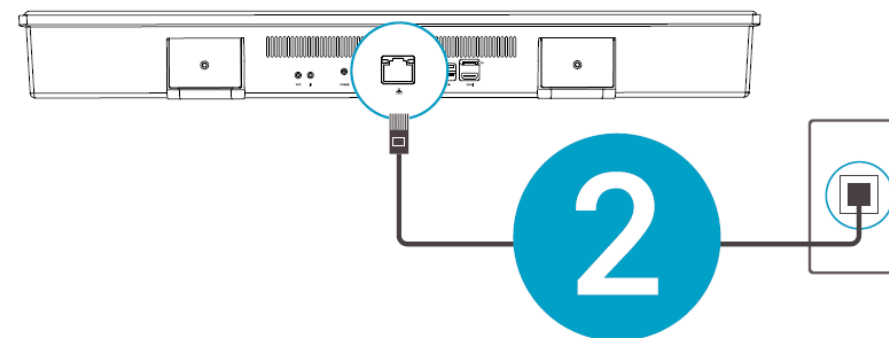


Expansion Mic

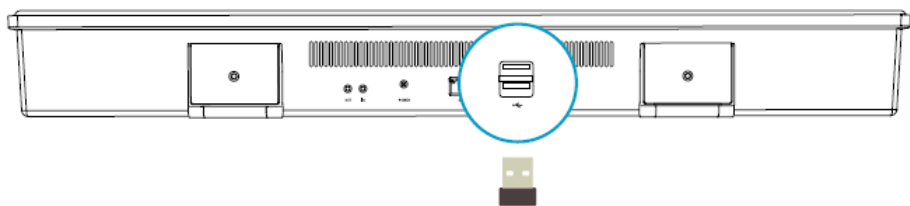
# Easy Set Up



Connect the HDMI cable.



Connect the Ethernet cable.



3

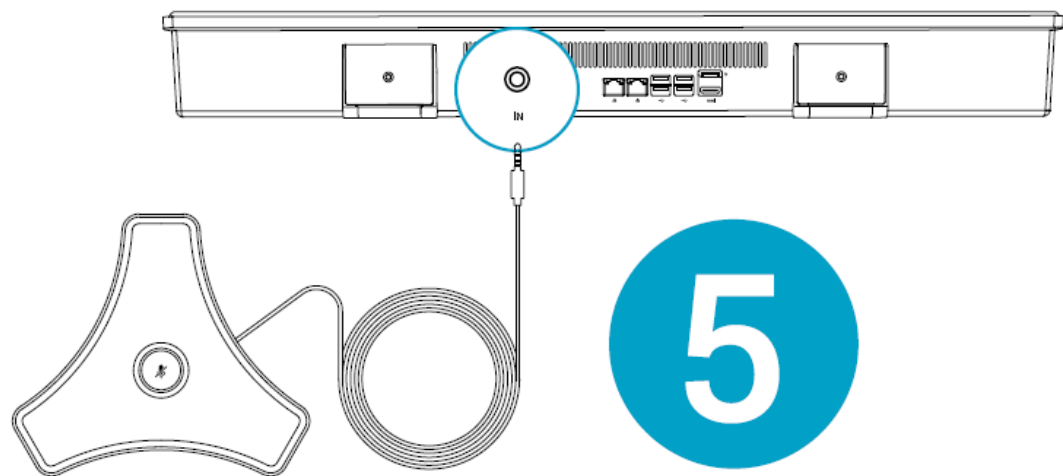
Connect your wireless mouse and keyboard.

4



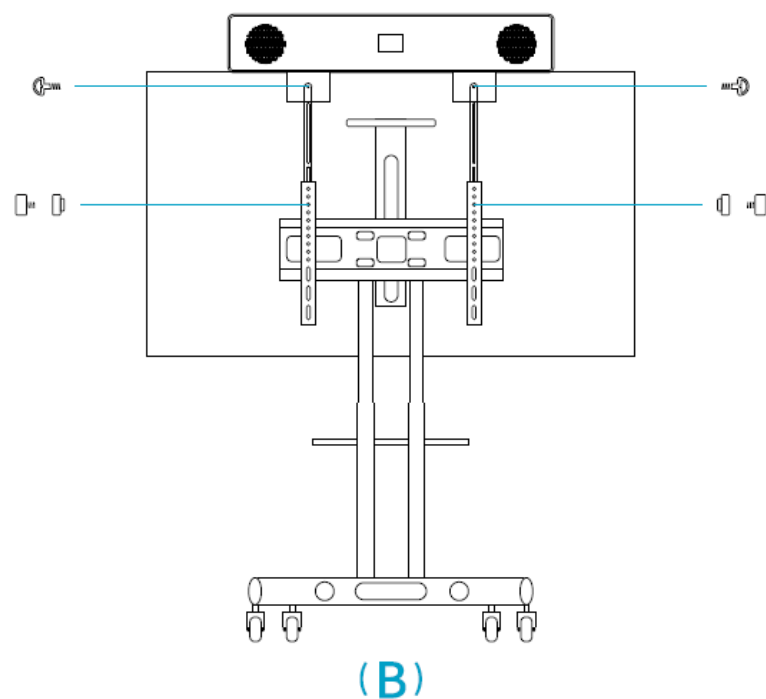
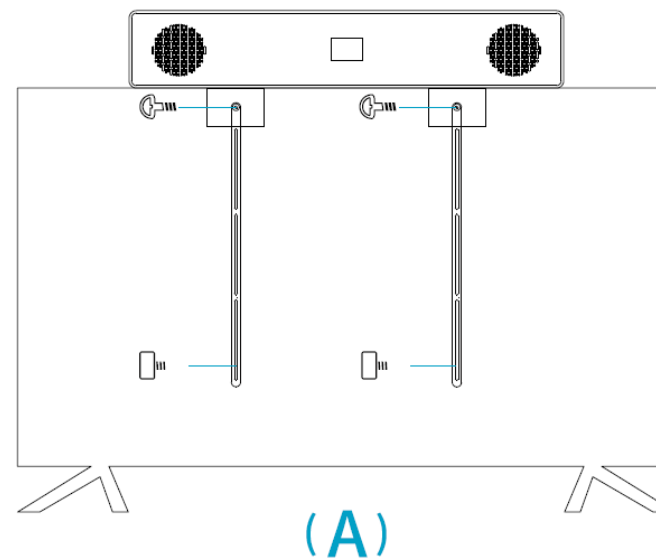
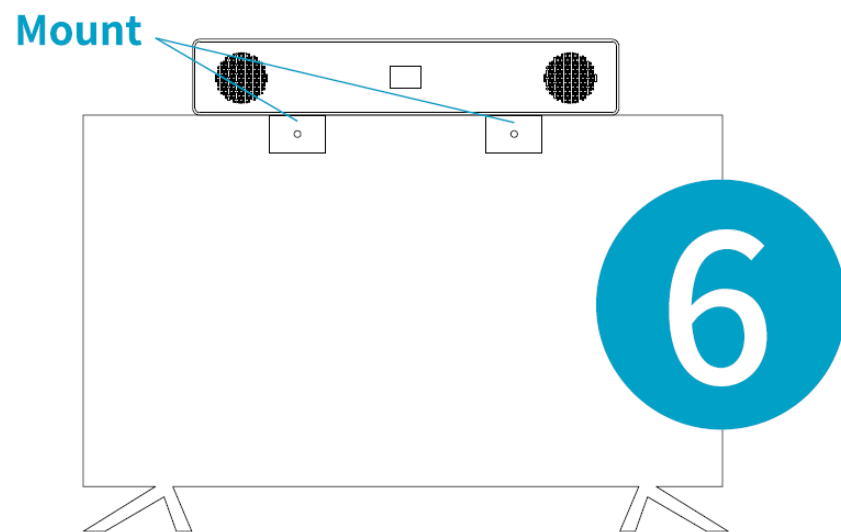
Connect the power supply.





Connect the expansion microphone with Line-In port.

**Optional**

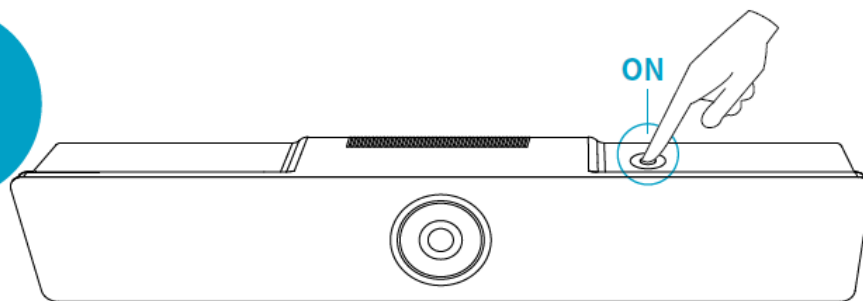


A. If your TV has no mounting bracket, please fix the mount bars with screw holes on the back of your TV.

B. If your TV has a mounting bracket, please fix the mount bars with screw holes on the mounting bracket.

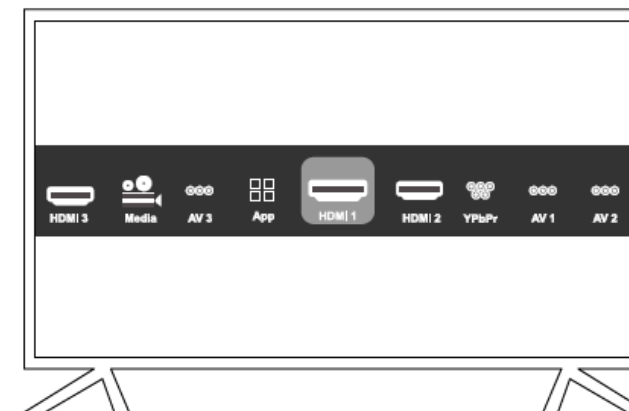
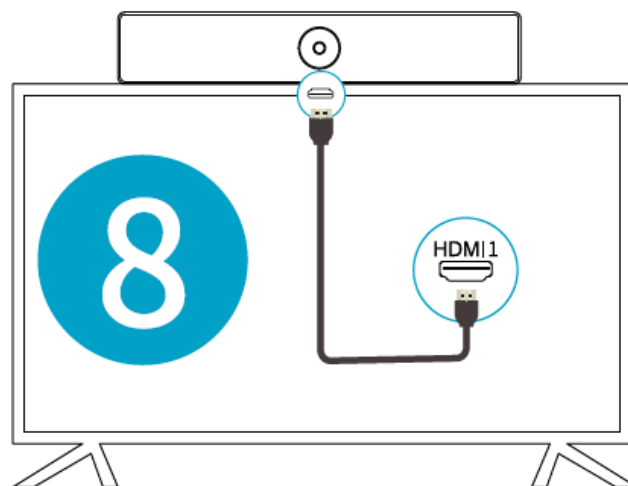


7



Press the power button to power on the Room Kit.

Select "Input Source" on your TV to receive the output of Room Kit and follow the prompts.



# Remote Control

