



Cute UP Lite

User Manual

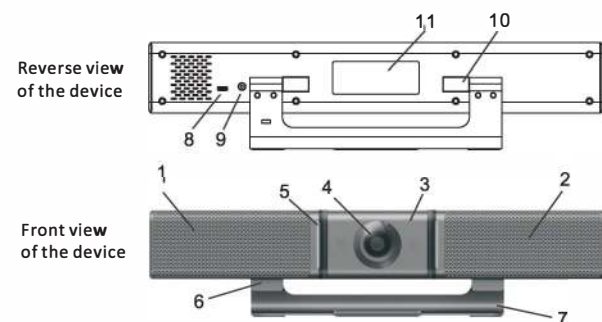


Read this instruction carefully before using

Product overview

The high-definition audio and video conference machine is a kind of high quality audio and video network telephone equipment comprised of multi-array microphone and high-definition camera. It can be installed according to varieties of application scenarios with flexible angle adjustment and convenient operation, which is suitable for daily video conference of enterprises, distance education, live video, and telemedicine.

Introduction to main machine



- | | |
|---------------------------------|---------------------------|
| 1 loudspeaker | 7 Rotatable support frame |
| 2 Multi-array microphone | 8 Type-C interface |
| 3 Multi-angle adjustable camera | 9 DC power input socket |
| 4 Pick-up lens | 10 Support frame shaft |
| 5 Status indicator | 11 Equipment nameplate |
| 6 Front registration mast | |

P.1

Packing List



The high-definition audio and video conference machine × 1



DC power adapter × 1



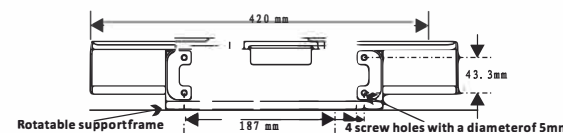
Type-C conversion cable × 1



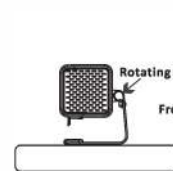
Operating manual × 1

Equipment installation

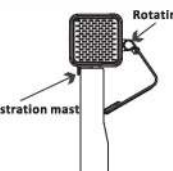
The device can be installed according to the application scenario which is usually installed below or at the top of the display screen. It is recommended that the installation height is in the visible range and roughly at the same horizontal plane of the human eye.



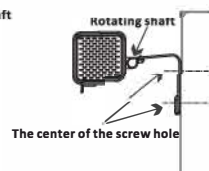
The size of the screw hole at the bottom of the support frame



Installation method I:
The device is placed on a horizontal support



Installation method II:
The device is placed at the top of the display



Installation method III:
The device is screwed to the vertical plane

P.2

Operating instructions

1. Open the product packaging, take out the device and accessories, and check the number of packing lists.
 2. The device can be installed according to the application scenario of the audio and video network phone, fixed and placed.
 3. First, insert the plug of the DC power adapter into the DC power socket of the device, and then insert the power adapter into the socket of the AC power supply. At this time, the indicator light of the device lights up; Second, insert the Type-C plug of the Type-C conversion cable into the corresponding socket of the device, and insert the USB plug of the USB socket of the computer equipment.
 4. When the device and the computer are connected, the device driver will be installed automatically. After the installation is successful, the computer screen will prompt that the device is ready or the device can be used.
 5. After the audio and video device drivers of the device are successfully installed, the application software of the instant messenger or audio and video network telephone (such as QQ, SKYPE) in the computer can be used. According to the operation method, long-range communication and interaction with network audio and video telephone can be conducted.
- Note: The device is suitable for computer devices with the operation system of Windows7/8/10.

Precautions

1. Multiple acoustic speaker devices including this one cannot be connected at the same time on a computer device.
2. It is required to connect the data cable of the USB interface directly to the computer device. If it is connected through a USB hub, some operational problems may be caused.
3. To check if the audio and video device driver of the device is connected successfully, open the hardware option of "Computer Properties" on the computer, click "Device Manager" and then click "Sound Video and Game Controller" to check whether there is a device model of the native audio device; Select "Image Device" to see if there has a device model of the native camera. For further review, check whether the "Native Device Model" is showed on the default device in the option of Playback (Output) and Record (Input) in the Sound and Audio Device Properties of the Computer Control Panel Options. Otherwise, re-select the native device model and confirm it.
4. In the using process, the volume can be adjusted through the speaker option on the computer if necessary. When using the application software of the instant messenger or audio and video network telephone, please select this one as the preferred audio and video device.
5. Please do not attempt to repair the device, or there is a risk of electric shock. If there is a problem that needs to repair, please contact your dealer.

P.3